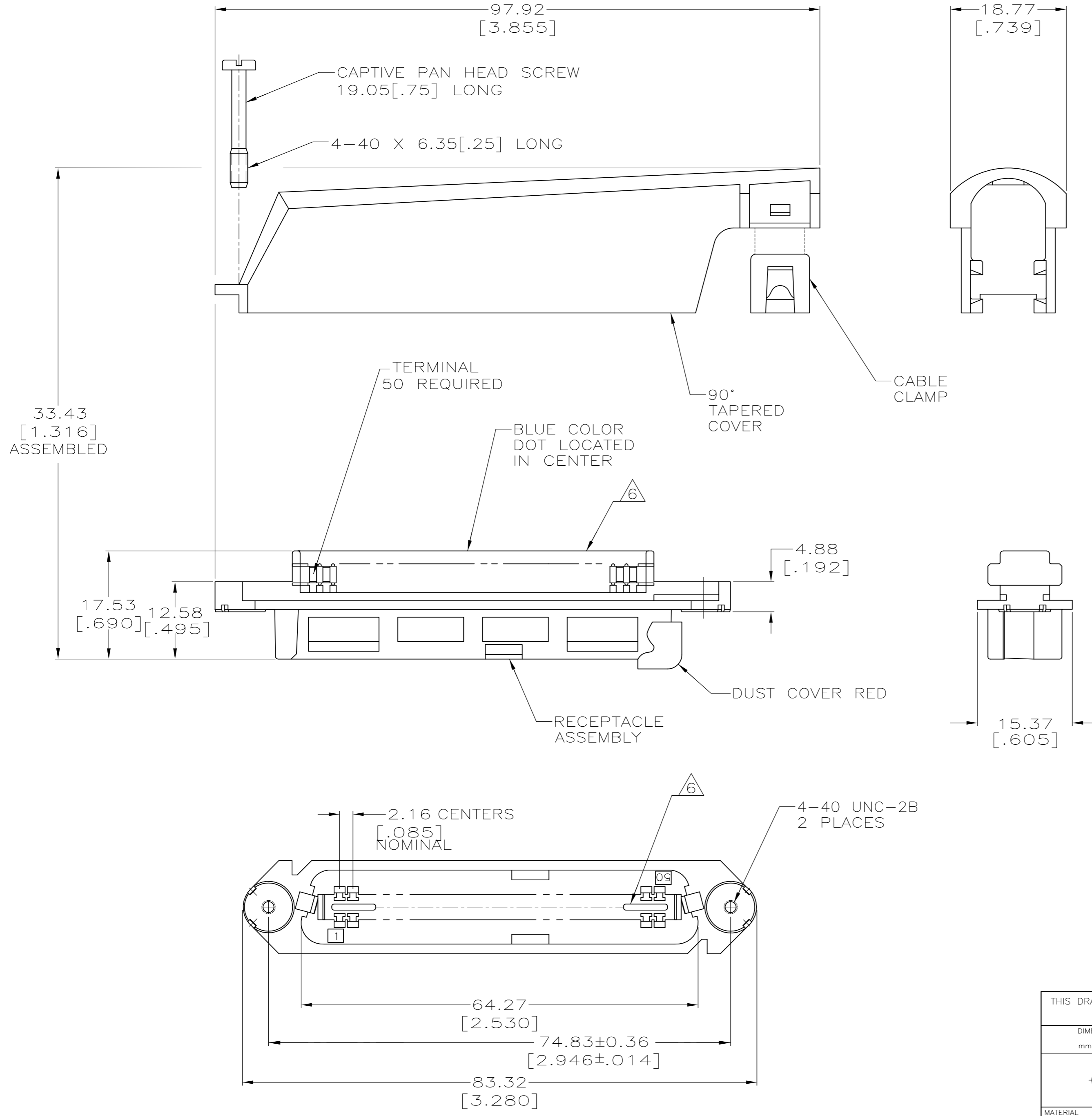


THIS DRAWING IS UNPUBLISHED. RELEASED FOR PUBLICATION
 © COPYRIGHT BY TYCO ELECTRONICS CORPORATION. ALL RIGHTS RESERVED.

LOC		DIST		REVISIONS			
P	LTR	DESCRIPTION	DATE	DWN	APVD		
GP	00	AL	REVISED PER ECO-08-007327	05SEP08	BM	WM	



- THE CONTACT SURFACES OF THE TERMINALS ARE COATED WITH LUBRICANT.
- DIMENSIONS ARE MAXIMUM UNLESS OTHERWISE SPECIFIED.
- MATERIAL: HOUSING AND COVER - POLYPHENYLENE OXIDE.
 CABLE CLAMP - POLYESTER MOLDING COMPOUND.
 TERMINAL - HIGH STRENGTH COPPER ALLOY PLATED WITH 0.76µm [.000030] MIN GOLD OR GOLD FLASH OVER PALLADIUM NICKEL PLATE, 0.76µm [.000030] MIN TOTAL ON MATING SURFACE, OVER 1.27µm [.000050] MIN NICKEL PLATING.
 HARDWARE - ZINC PLATED STEEL.
 DUST COVER - POLYETHYLENE MOLDING COMPOUND.
- THIS KIT SHIPPED NOT ASSEMBLED.
- WIRE SIZE: 24 & 26 AWG SOLID & 24 AWG STRAND COPPER CONDUCTORS. MAXIMUM INSULATION DIAMETER OF 1.15 [.045] IS ACCEPTABLE FOR MOST APPLICATIONS.
- CORING MAY OR MAY NOT APPEAR AND IS AT THE DISCRETION OF AMP INCORPORATED.
- OBSOLETE

PACKAGING	CABLE RANGE	DUST COVER	COLOR	PART NUMBER
BULK PACKED	φ7.62-8.26 [φ.300-.325]	YES	BLACK	△ 6-229913-7
	φ8.89-10.80 [φ.350-.425]	YES	GRAY	△ 6-229913-4
		YES	BLACK	△ 6-229913-3
POLY BAGGED	φ10.80-12.70 [φ.425-.500]	NO	BLACK	△ 6-229913-1
		YES	BLACK	△ 3-229913-1
	NO	BLACK	△ 2-229913-1	
	YES	GRAY	△ 1-229913-4	
	YES	BLACK	△ 1-229913-1	
	NO	GRAY	△ 229913-4	
NO	BLACK		△ 229913-1	

THIS DRAWING IS A CONTROLLED DOCUMENT.

DWN L. McEACHIN/UTA 30 AUG 93
 CHK C. WHITT 09 NOV 93
 APVD J. TRAMMEL 15 NOV 93

Tyco Electronics Corporation
 Harrisburg, PA 17105-3608

RECEPTACLE KIT, 50 POSITION,
 B-SLOT, SCREW LOCK, TAPERED COVER,
 CHAMP-LOK®

SIZE A2 CAGE CODE 00779 DRAWING NO C=229913 RESTRICTED TO -

MATERIAL △3 FINISH △3 WEIGHT - SCALE 2:1 SHEET 1 OF 1 REV AL

CUSTOMER DRAWING